

Committed to Our Customers

Committed to Our Customers

Committed to Our Customers

Committed to Our Customers

High Quality

Cost-Effective

Timely Delivery

Advanced Design

Super Reliability

Excellent Performance



Pan World

Leader in Leak-free Technology

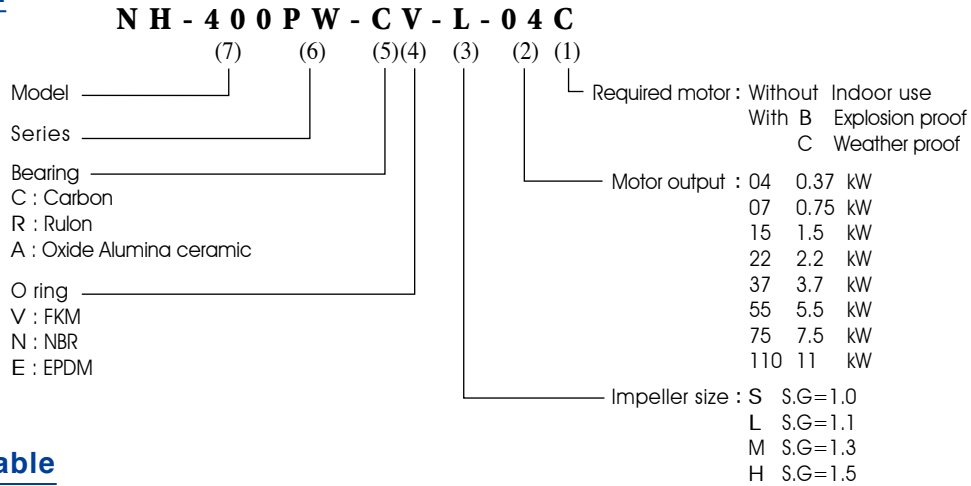
PW Series (PPG)

General Purpose Magnetic Drive Pumps

- PPG wetted-end material.
- 9 models with flow rates up to 1400 lit/min and discharge head of 37m.
- Able to handle many types of chemical and temperature of up to 70°C.
- Adaptable to IEC Standard motor, 0.37 to 11 kW.
- Available in flange connections.



Type indication



Specification table

Type	Flange size		Pump performance at specified point (M at L/min)			Applicable Motor output (kW)	Net weight w/t motor (Kg)
	Outlet(mm)	Inlet(mm)	Specific Gravity	50Hz	60Hz		
NH-350PW	25	25	1.1	11.0 - 80	14.0 - 80	0.37	16
NH-351PW	25	25	1.1	17.0 - 100	17.0 - 100	0.75	25
NH-400PW	40	40	1.1	8.3 - 165	6.7 - 160	0.37	21
			1.3	7.0 - 155	7.8 - 140		
			1.5	6.1 - 130	5.9 - 130		
NH-401PW	40	40	1.1	12.0 - 240	11.5 - 250	0.75	30
			1.3	9.8 - 185	9.2 - 200		
			1.5	9.1 - 165	7.5 - 200		
NH-402PW	40	50	1.1	14.0 - 320	14.0 - 300	1.5	45
			1.3	14.0 - 280	13.9 - 265		
			1.5	12.0 - 280	14.5 - 220		
NH-403PW	40	50	1.1	20.0 - 310	19.0 - 280	2.2	53
			1.3	16.0 - 340	17.0 - 280		
			1.5	15.5 - 340	14.7 - 340		
NH-405PW	40	50	1.1	23.0 - 390	24.0 - 420	3.7	64
			1.3	21.1 - 400	24.0 - 390		
			1.5	19.0 - 390	20.0 - 390		
NH-505PW(L)	50	65	1.0	22.0 - 500	22.0 - 500	3.7	72
			1.1	20.0 - 500	22.0 - 500		
			1.3	19.0 - 500	19.0 - 500		
			1.5	16.0 - 500	16.0 - 500		
NH-505PW(H)	50	65	1.0	25.0 - 350	28.0 - 350	3.7	72
			1.1	25.0 - 350	26.0 - 350		
			1.3	22.0 - 350	24.0 - 350		
			1.5	20.0 - 350	19.7 - 350		
NH-507PW	50	65	1.0	24.0 - 600	27.0 - 600	5.5	99
			1.1	22.0 - 600	24.0 - 600		
			1.3	19.0 - 600	21.0 - 600		
			1.5	19.0 - 600	19.0 - 600		
NH-655PW	65	80	1.1	15.0 - 700	15.5 - 600	3.7	110
			1.3	12.0 - 650	---		
			1.5	10.2 - 570	---		
NH-657PW	65	80	1.1	17.5 - 800	18.0 - 750	5.5	120
			1.3	17.6 - 630	16.5 - 630		
			1.5	15.3 - 620	13.3 - 760		
NH-6510PW	65	80	1.1	23.4 - 780	23.4 - 800	7.5	130
			1.3	22.7 - 640	19.6 - 770		
			1.5	17.5 - 800	18.1 - 670		
NH-6515PW	65	80	1.1	25.5 - 1040	29.5 - 1030	11	140
			1.3	25.5 - 1040	31.5 - 650		
			1.5	25.2 - 880	24.6 - 850		

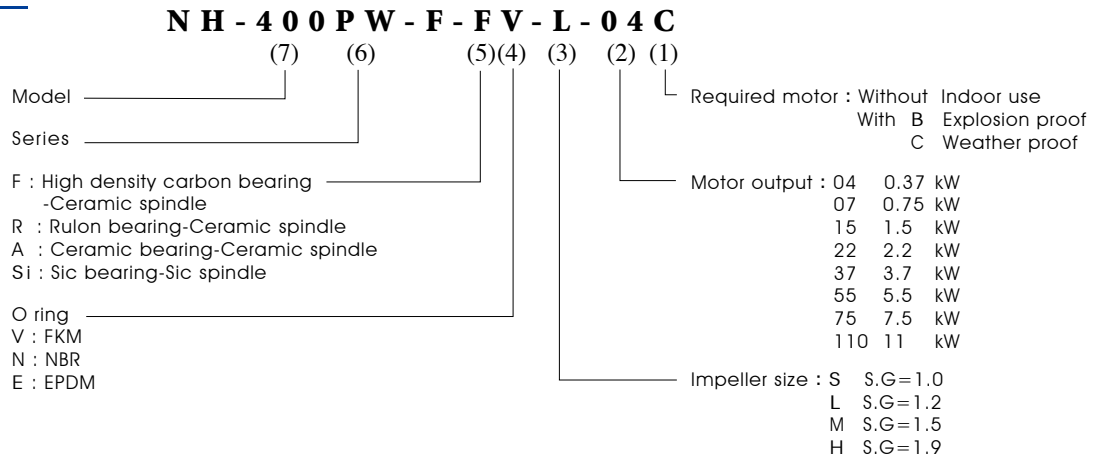
PW-F Series (ETFE)

Magnetic Drive Pumps For Hazardous Chemical Transfer



- ETFE (carbon-fiber reinforced) wetted-end material.
- 9 models with flow rates up to 530 lit/min and discharge head of 42m.
- Able to handle almost all types of chemical and temperature of up to 90°C.
- Adaptable to IEC Standard motor, 0.37 to 11 kW.
- Available in flange connections.

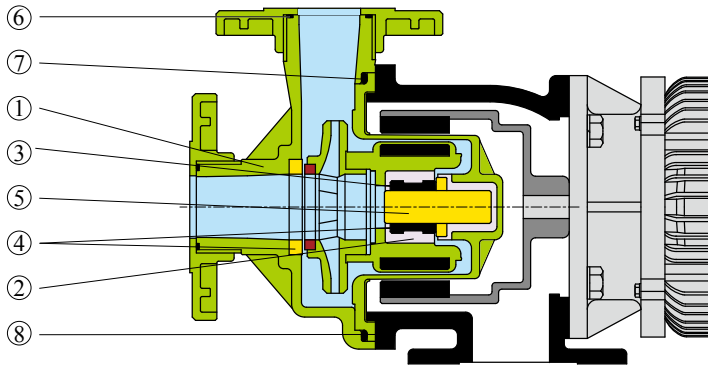
Type indication



Specification table

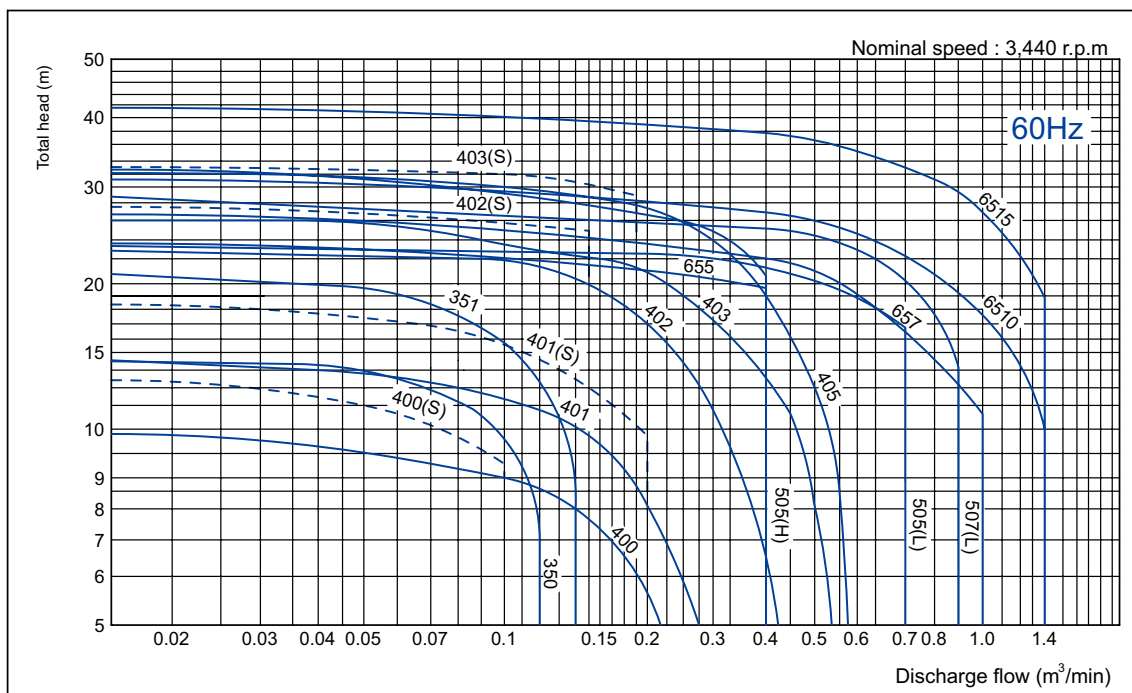
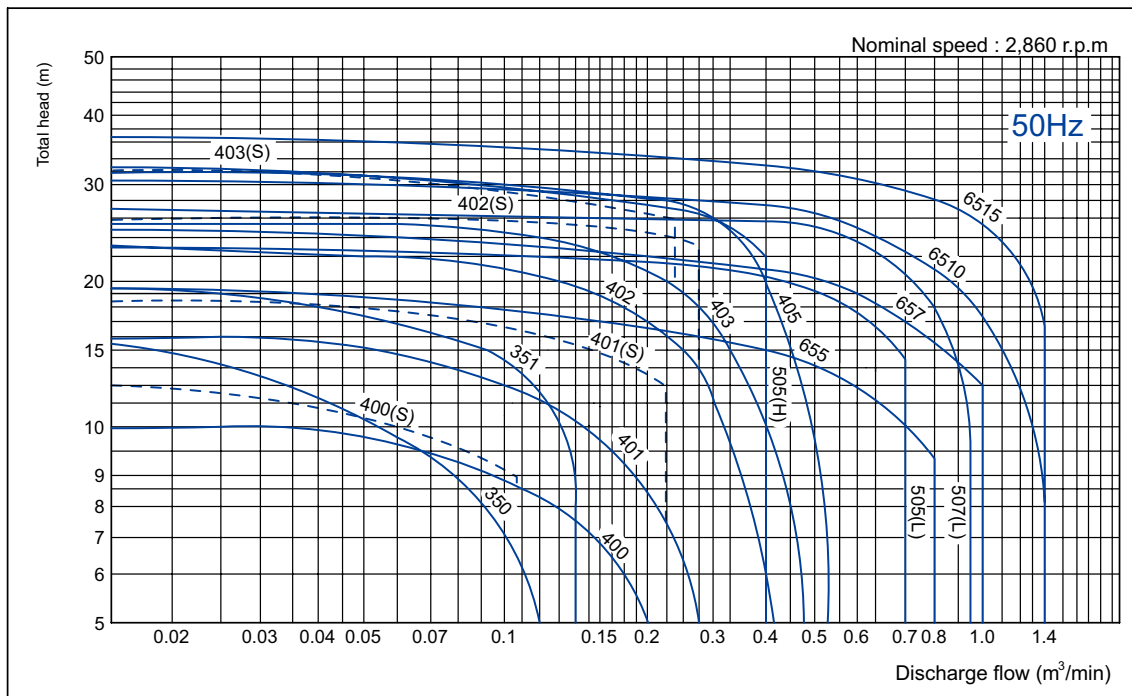
Type	Flange size		Pump performance at specified point (M at L/min)			Applicable Motor output (kW)	Net weight w/t motor (Kg)
	Outlet(mm)	Inlet(mm)	Specific Gravity	50Hz	60Hz		
NH-350PW-F	25	25	1.2	10.0 - 80	12.5 - 80	0.37	16
NH-351PW-F	25	25	1.2	15.0 - 100	15.0 - 100	0.75	25
NH-400PW-F	40	40	1.2	7.4 - 135	8.0 - 110	0.37	21
			1.5	6.5 - 135	5.2 - 135		
			1.9	4.7 - 120	3.9 - 120		
NH-401PW-F	40	40	1.2	10.0 - 180	9.5 - 180	0.75	30
			1.5	8.5 - 160	8.8 - 160		
			1.9	6.0 - 175	5.2 - 175		
NH-402PW-F	40	50	1.2	16.0 - 260	15.5 - 260	1.5	45
			1.5	13.0 - 240	13.5 - 240		
			1.9	10.0 - 280	7.9 - 280		
NH-403PW-F	40	50	1.2	17.0 - 330	15.0 - 330	2.2	53
			1.5	15.0 - 310	16.3 - 310		
			1.9	14.0 - 280	13.0 - 280		
NH-405PW-F	40	50	1.2	24.5 - 390	24.5 - 390	3.7	64
			1.5	20.5 - 310	20.3 - 350		
			1.9	15.2 - 220	19.3 - 290		
NH-505PW-F(L)	50	65	1.2	21.0 - 500	20.0 - 500	3.7	72
			1.5	16.0 - 500	16.0 - 500		
			1.9	13.0 - 500	11.0 - 500		
NH-505PW-F(H)	50	65	1.2	24.3 - 350	25.0 - 350	3.7	72
			1.5	20.0 - 350	19.7 - 350		
			1.9	20.0 - 350	17.0 - 350		
NH-507PW-F	50	65	1.2	21.5 - 600	22.5 - 600	5.5	99
			1.5	19.0 - 600	19.5 - 600		
			1.9	16.0 - 600	15.0 - 600		
NH-655PW-F	65	80	1.2	12.2 - 600	19.8 - 400	3.7	110
			1.5	11.0 - 540	---		
			1.9	---	---		
NH-657PW-F	65	80	1.2	17.0 - 700	18.0 - 620	5.5	120
			1.5	15.3 - 625	13.5 - 750		
			1.9	11.3 - 660	---		
NH-6510PW-F	65	80	1.2	22.2 - 760	20.7 - 830	7.5	130
			1.5	18.9 - 720	18.0 - 680		
			1.9	15.5 - 660	15.0 - 720		
NH-6515PW-F	65	80	1.2	26.8 - 1080	24.0 - 1110	11	140
			1.5	26.0 - 815	26.0 - 800		
			1.9	24.1 - 600	20.5 - 835		

Parts List

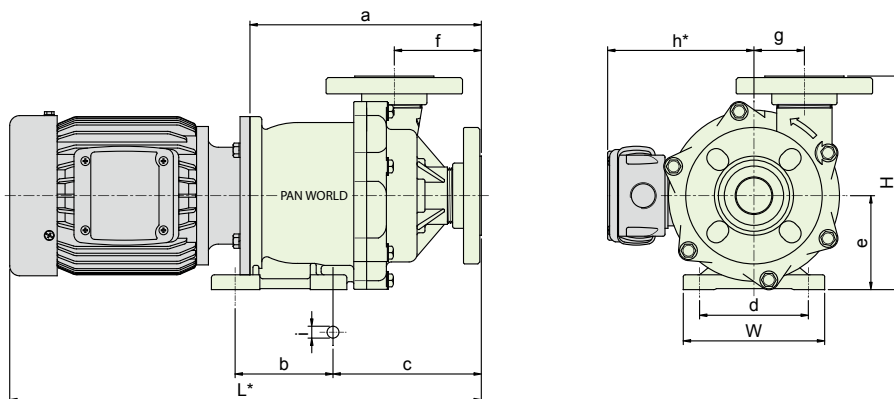


Part name	PW-F Series				
	FV	RV	AV	FN	Si
1. Casing	ETFE				
2. Holder	ETFE				
3. Bearing	H.D. Carbon	Rulon	Ceramic	H.D. Carbon	Sic
4. Thrust pad	Ceramic				Sic
5. Spindle	Ceramic				Sic
6. O ring	FKM		NBR	FKM	
7. O ring	FKM		NBR	FKM	
8. Bracket	Grey cast iron				

PW-F series performance curve



Installation dimension (for PW / PW-F Series)

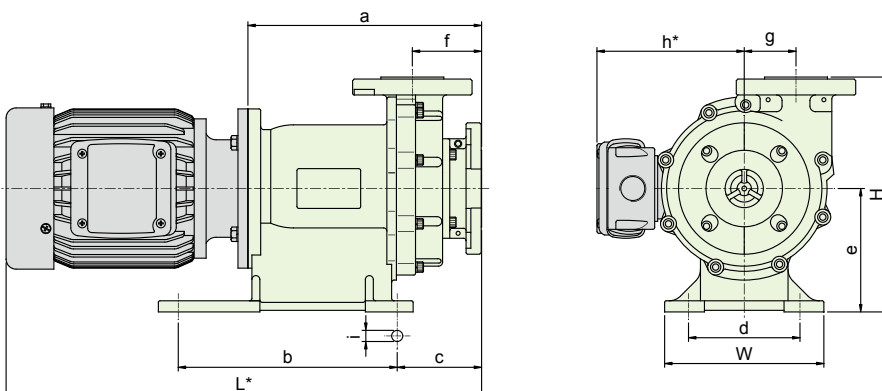


Model	W	H	L*	a	b	c	d	e	f	g	h*	i
350 PW / PW-F	157	247.5	465.5	225.5	130	155	130	115	82	76	146	12
351 PW / PW-F	160	247.5	462.5	229.5	130	164	130	115	82	76	152	12
400 PW / PW-F	140	216	473	233	98	150	110	95	87	51	151	12
401 PW / PW-F	160	254	488	256	130	184	130	115	102.5	57.5	160	12
402 PW / PW-F	260	255	620	305	200	158	208	115	89	65	176	14
403 PW / PW-F	260	255	620	305	200	158	208	115	89	65	176	14
405 PW / PW-F	260	270	689	326	200	158	208	130	89	65	208	14
505 PW / PW-F	260	319	650.5	287.5	300	123.2	220	162	89.5	60	208	14
507 PW / PW-F	260	319	676.5	311.5	300	123.2	220	162	89.5	60	252	14
655 PW / PW-F	260	360	723	360	270	240	210	175	118	85	208	14
657 PW / PW-F	260	360	745	380	270	240	210	175	118	85	252	14
6510 PW / PW-F	260	360	745	380	270	240	210	175	118	85	252	14
6515 PW / PW-F	350	385	918.5	408.5	270	240	300	200	118	85	285	14



- Remarks: 1. This size in the table is shown with JIS motor.
 2. Over all size & construction may be changed without notice.
 3. * Depending on type of motor used.

Installation dimension (for PW-C Series)



Model	W	H	L*	a	b	c	d	e	f	g	h*	i
250PW-C	155	237	474	234	146	95	110	115	88	51	151	14
401PW-C	195	275	492	260	250	111	130	135	104.5	57.5	160	14
402PW-C	200	295	606	291	275	106	140	155	87	65	176	14
403PW-C	200	295	606	291	275	106	140	155	87	65	176	14
405PW-C	200	295	675.5	312.5	275	106	140	155	87	65	208	14
505PW-C	260	325	712	349	305	130	210	175	110	62	208	14
507PW-C	260	325	734	369	305	130	210	175	110	62	252	14
657PW-C	280	360	743	378	320	193	220	175	118	0	252	14
6510PW-C	280	360	743	378	320	193	220	175	118	0	252	14
6515PW-C	350	385	918	408	320	193	300	200	118	0	285	14
6520PW-C	350	385	918	408	320	193	300	200	118	0	285	14



- Remarks: 1. JIS, ISO, NEMA or explosion motor is available.
 2. Over all size & part construction will be changed without notice.
 3. NH-657, 6510, 6515, 6520 are top centre discharge.
 4. * Depending on type of motor used.



PAN WORLD GROUP OF COMPANIES

Pan World Co., Ltd. (Japan)

TPW, Hong Yuan Co., Ltd. (Taiwan)

ISO9001 Certified

Pan World Asia Pacific Pte., Ltd. (Singapore)

ISO 9001 Certified

Jen Fu Co., Ltd. (Taiwan)

Dongnam Engineering PW Co., Ltd. (Korea)

Pan World Pumps (M) SDN BHD. (Malaysia)

Shenzhen Rongchao Industry Co., Ltd.

(Guangzhou, China)

Shinfu Mechanical Co., Ltd. (Shanghai, China)

Pan World Rep. Office (U.S.A)

MPP Phils., Inc. (Philippines)



PAN WORLD CO LTD

1097-18 MITSUKAIDO YAMADA-CHO,
JYOUSOU-SHI, IBARAKI-KEN, JAPAN

TEL : (81) 297-23-5560

FAX : (81) 297-23-5561

E-mail : aricomx@mx5.nisiq.net

http: www.panworld-jp.com

Specifications are subjected to changes without prior notice.